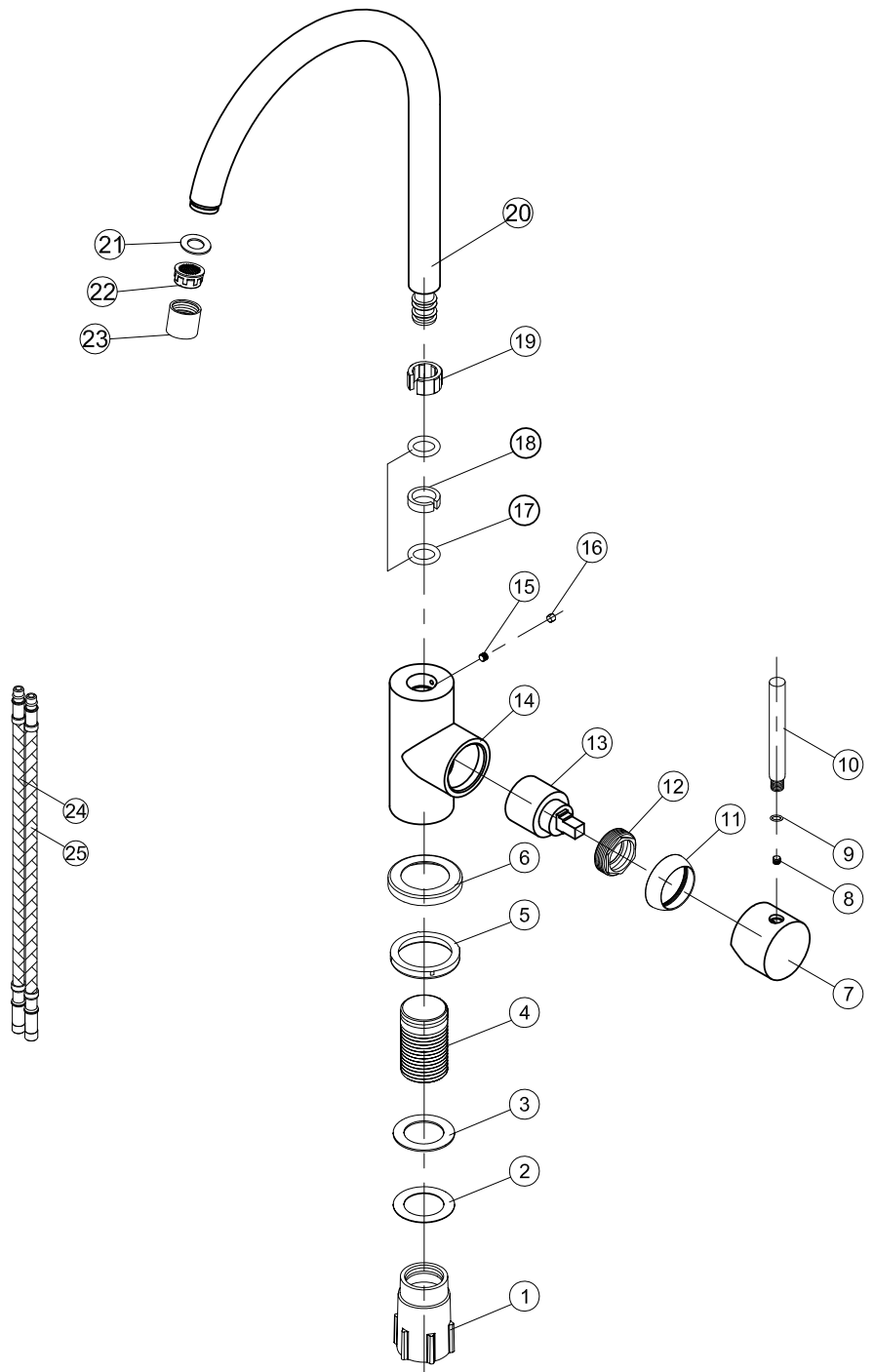


- 1 Fixing bushing
- 2 Washer
- 3 Rubber
- 4 Threaded tube
- 5 Base Rubber
- 6 Base
- 7 Handle base
- 8 Inner hex screw
- 9 O ring
- 10 Handle bar
- 11 Cover ring
- 12 Screw nut
- 13 Cartridge
- 14 Body
- 15 Inner hex screw
- 16 Decoration rubber
- 17 O ring
- 18 C ring
- 19 C ring
- 20 Spout
- 21 O ring
- 22 Aerator
- 23 Aerator cover
- 24 Flexible hose
- 25 Flexible hose



Steel Curve Sand

Art no: 30001 RSK: 8310537

SCANDTAP[®]
BATHROOM CONCEPTS

Scandtap AB, Olofsdalsvägen 21, 302 41 Halmstad, Sweden
info@scandtap.com, www.scandtap.com

